

[NetShelter 4 Post Open Frame Racks](#)  
**NetShelter 4 Post Open Frame Rack Threaded Holes**



4-post racks with advanced power distribution and cable management features for server, networking, and telecom applications in secure IT environments.

**Includes:** User Manual

**Standard Lead Time:** Usually in Stock

**Physical**

Net Weight	41.82 KG
Maximum Height	2055.00 mm
Maximum Width	523.00 mm
Maximum Depth	749.00 mm
Shipping Weight	46.36 KG
Shipping Height	2083.00 mm
Shipping Width	254.00 mm
Shipping Depth	188.00 mm
Weight Capacity (static load)	454.55 KG
Minimum Mounting Depth	740.00 mm
Maximum Mounting Depth	740.00 mm
Rack Height	43U
Color	Black

**Conformance**

Standard Warranty	5 year repair or replace
Standards	EIA-310-D

**AR204 Features**

Supports 24 inch floor tile spacing  
Supports 600 mm floor tile spacing  
Vertical mounting rails with threaded holes  
Bolts to the floor  
Ships Unassembled

**NetShelter 4 Post Open Frame Racks Features & Benefits**

**Agility**

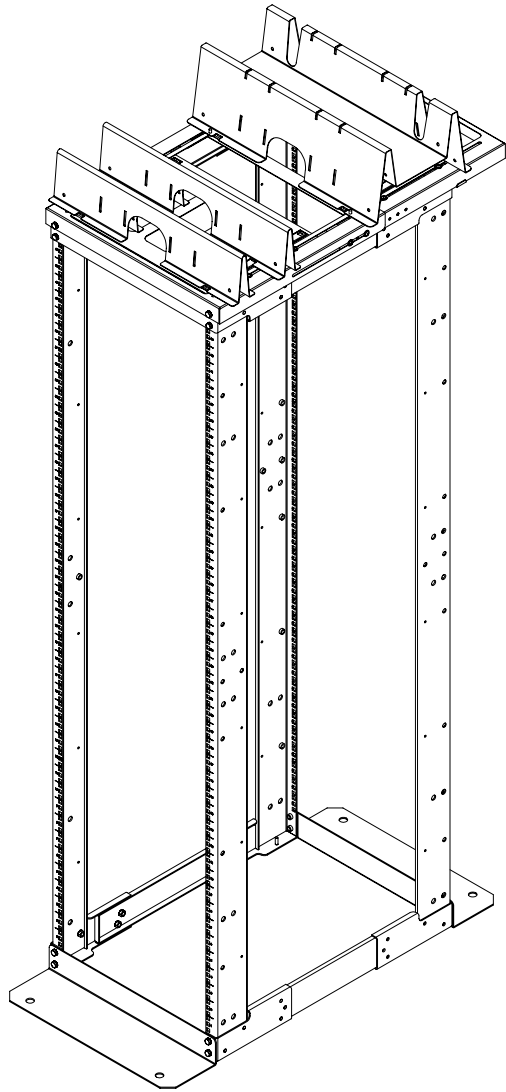
Numbered U positions      APC has eliminated the pain involved in determining where to install rack-mount devices within an enclosure by labeling each vertical mounting rail with the actual U positions.

**Total Cost of Ownership**

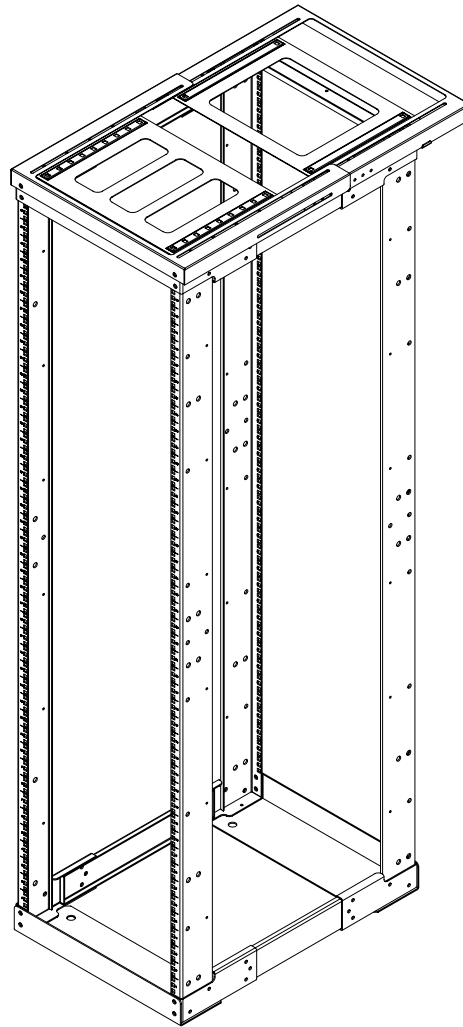
Reversible stabilization plates      Stabilizations plates can either be mounted internally to conserve floor space or externally

**Product Distribution**

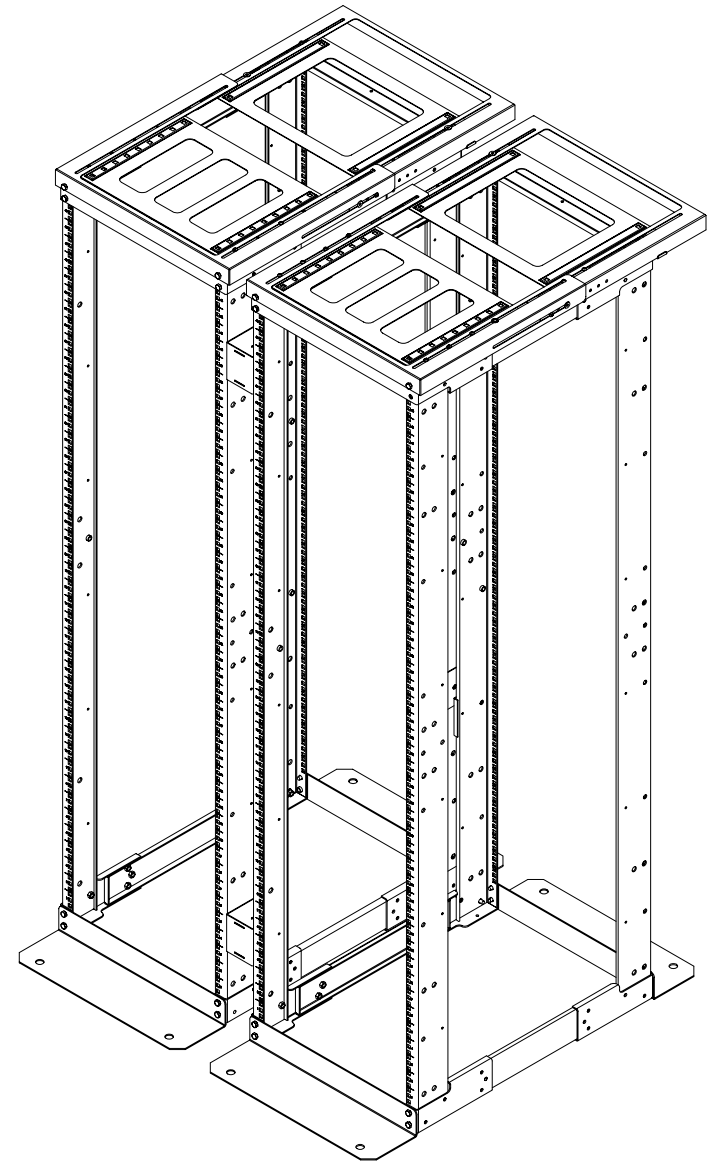
Afghanistan, Albania, Argentina, Australia, Austria, Belgium, Bermuda, Bolivia, Brazil, Canada, Chile, China, Colombia, Costa Rica, Cyprus, Czech Republic, Denmark, Dominican Republic, Ecuador, El Salvador, Estonia, Fiji, Finland, France, Germany, Greece, Guatemala, Honduras, Hong Kong, Hungary, Iceland, India, Indonesia, Ireland, Italy, Jamaica, Korea, Republic Of, Latvia, Lithuania, Luxembourg, Macedonia, Malaysia, Malta, Mexico, Netherlands, Netherlands Antilles, New Zealand, Nicaragua, Norway, Panama, Paraguay, Peru, Philippines, Poland, Portugal, Puerto Rico, Serbia And Montenegro, Singapore, Slovakia (Slovak Republic), Slovenia, Spain, Sweden, Switzerland, Switzerland, Switzerland, Taiwan, Thailand, Trinidad And Tobago, United Kingdom, United States, Uruguay, Venezuela, Viet Nam



ISOMETRIC VIEW  
 (WITH TROUGHS AND PARTITIONS)  
 (WITH BASE PLATE PLATES "OUT")  
 (WITH ROOF)



ISOMETRIC VIEW  
 (W/O PARTITIONS & TROUGH)



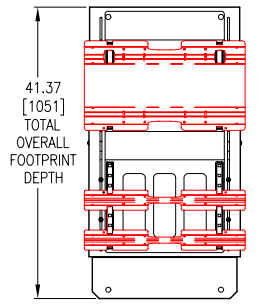
ISOMETRIC VIEW  
 (WITHOUT TROUGHS AND PARTITIONS)

THIS DRAWING AND SPECIFICATIONS HEREIN ARE THE PROPERTY OF AMERICAN POWER CONVERSION AND SHALL NOT BE COPIED, REPRODUCED OR USED IN WHOLE OR IN PART, AS THE BASIS FOR THE MANUFACTURE OR SALE OF ITEMS, WITHOUT WRITTEN PERMISSION FROM APC. THIS DRAWING IS BASED UPON LATEST AVAILABLE INFORMATION AND IS SUBJECT TO CHANGE WITHOUT NOTICE.

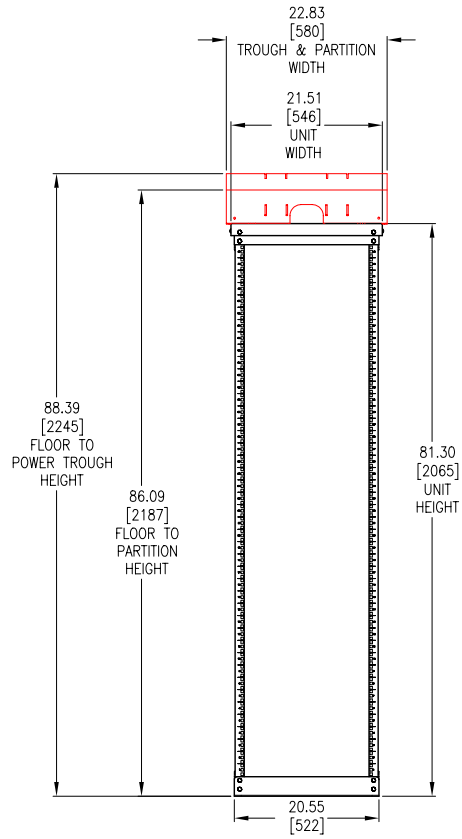
TITLE: INFRASTRUCTURE  
 TYPE B  
 4 POST OPEN FRAME RACK  
 PICTORIAL DRAWINGS  
 PROJECT: SUBMITTAL DRAWINGS SHEET 1 OF 4

DWG NO:	AR203-AR204	REV.	-
DRAWN BY:	M CRAVEN	11/13/03	
CHECKED BY:	B SHERIDAN	11/20/03	
ENGINEER:	J RUNK	11/20/03	

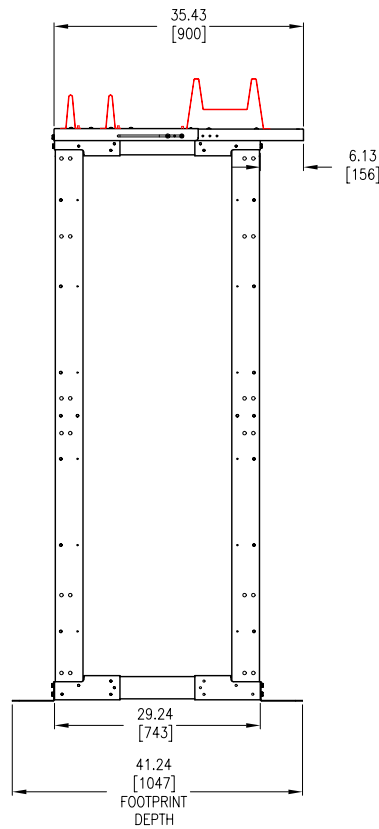




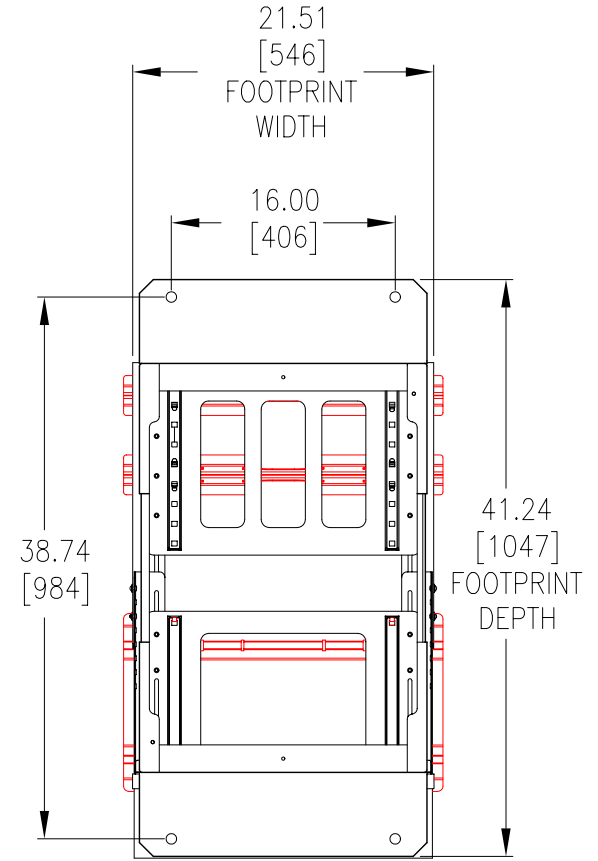
TOP VIEW  
(WITH TROUGHS AND PARTITIONS)



FRONT VIEW  
(WITH TROUGHS AND PARTITIONS)



SIDE VIEW  
(WITH TROUGHS AND PARTITIONS)  
(WITH BASE PLATE PLATES "OUT")  
(WITH ROOF)



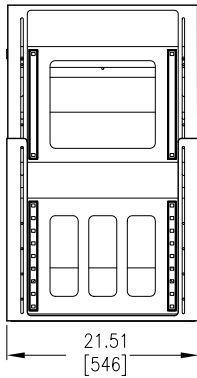
BOTTOM VIEW  
(WITH TROUGHS AND PARTITIONS)  
(WITH BASE PLATE PLATES)  
ENLARGED

THIS DRAWING AND SPECIFICATIONS HEREIN ARE THE PROPERTY OF AMERICAN POWER CONVERSION AND SHALL NOT BE COPIED, REPRODUCED OR USED IN WHOLE OR IN PART, AS THE BASIS FOR THE MANUFACTURE OR SALE OF ITEMS, WITHOUT WRITTEN PERMISSION FROM APC. THIS DRAWING IS BASED UPON LATEST AVAILABLE INFORMATION AND IS SUBJECT TO CHANGE WITHOUT NOTICE.

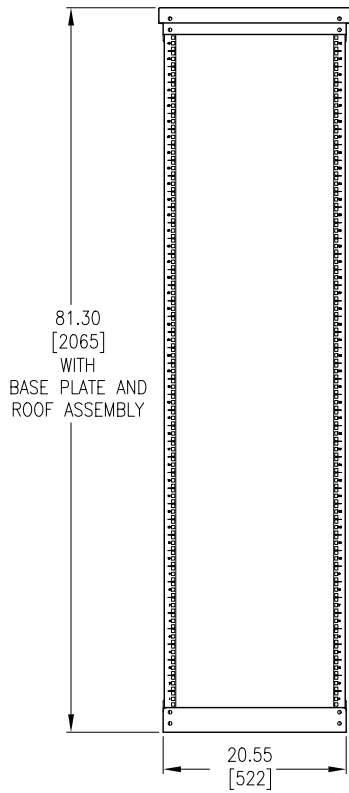
TITLE: INFRASTRUXURE  
TYPE B  
4 POST OPEN FRAME RACK  
MECHANICAL LAYOUT

DWG NO:	AR203-AR204	REV.	-
DRAWN BY:	M CRAVEN	11/13/03	
CHECKED BY:	B SHERIDAN	11/20/03	
ENGINEER:	J RUNK	11/20/03	

**APC**<sup>®</sup>  
AMERICAN POWER CONVERSION  
132 FAIRGROUNDS RD  
WEST KINGSTON, RI 02892

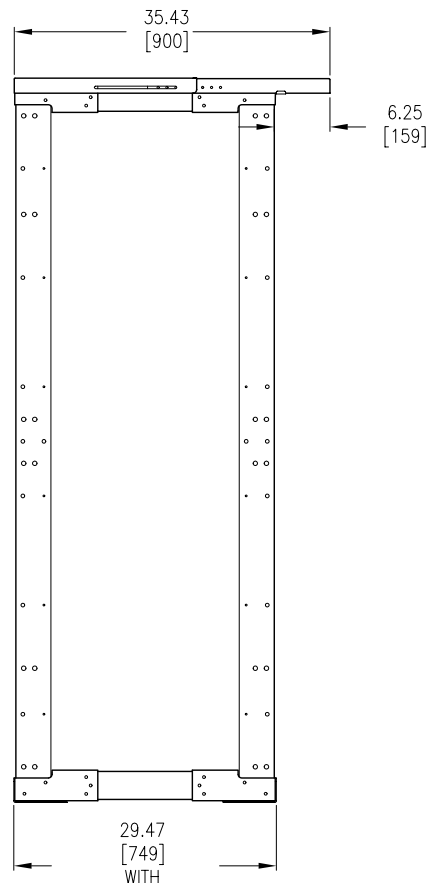


TOP VIEW  
(WITH ROOF ASS'Y)  
(BASE PLATES "IN")

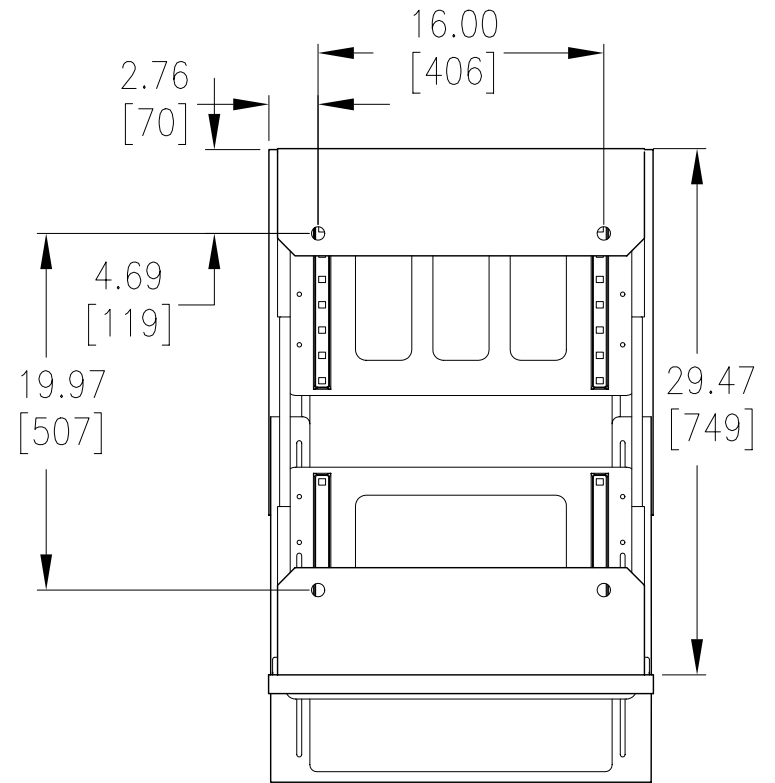


81.30  
[2065]  
WITH  
BASE PLATE AND  
ROOF ASSEMBLY

FRONT VIEW  
(WITH BASE PLATES "IN")



35.43  
[900]  
6.25  
[159]  
29.47  
[749]  
WITH  
BASE PLATES "IN"  
SIDE VIEW



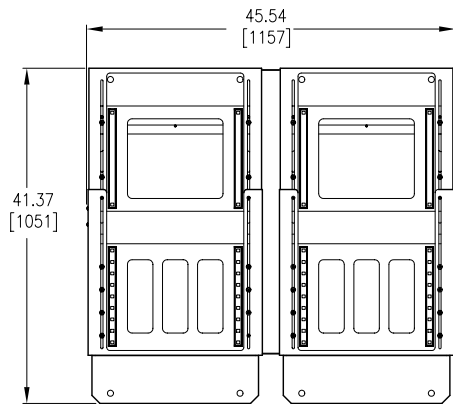
BOTTOM VIEW  
(ENLARGED)  
(WITH BASE PLATES "IN")

THIS DRAWING AND SPECIFICATIONS HEREIN ARE THE PROPERTY OF AMERICAN POWER CONVERSION AND SHALL NOT BE COPIED, REPRODUCED OR USED IN WHOLE OR IN PART, AS THE BASIS FOR THE MANUFACTURE OR SALE OF ITEMS, WITHOUT WRITTEN PERMISSION FROM APC. THIS DRAWING IS BASED UPON LATEST AVAILABLE INFORMATION AND IS SUBJECT TO CHANGE WITHOUT NOTICE.

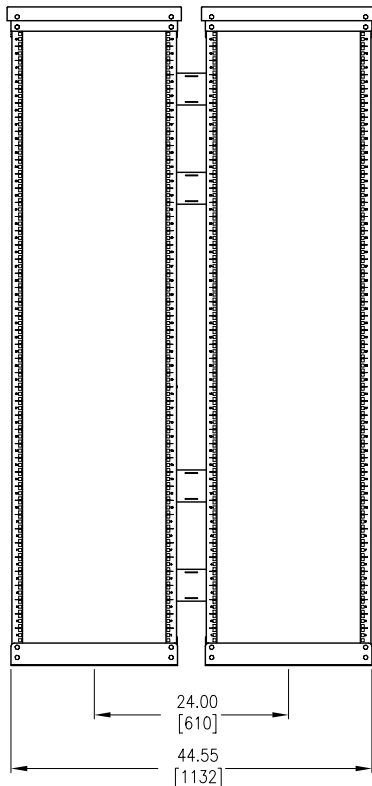
TITLE: INFRASTRUXURE  
TYPE B  
4 POST OPEN FRAME RACK  
MECHANICAL LAYOUT  
PROJECT: SUBMITTAL DRAWINGS SHEET 3 OF 4

DWG NO:	AR203-AR204	REV.	-
DRAWN BY:	M CRAVEN	11/13/03	
CHECKED BY:	B SHERIDAN	11/20/03	
ENGINEER:	J RUNK	11/20/03	

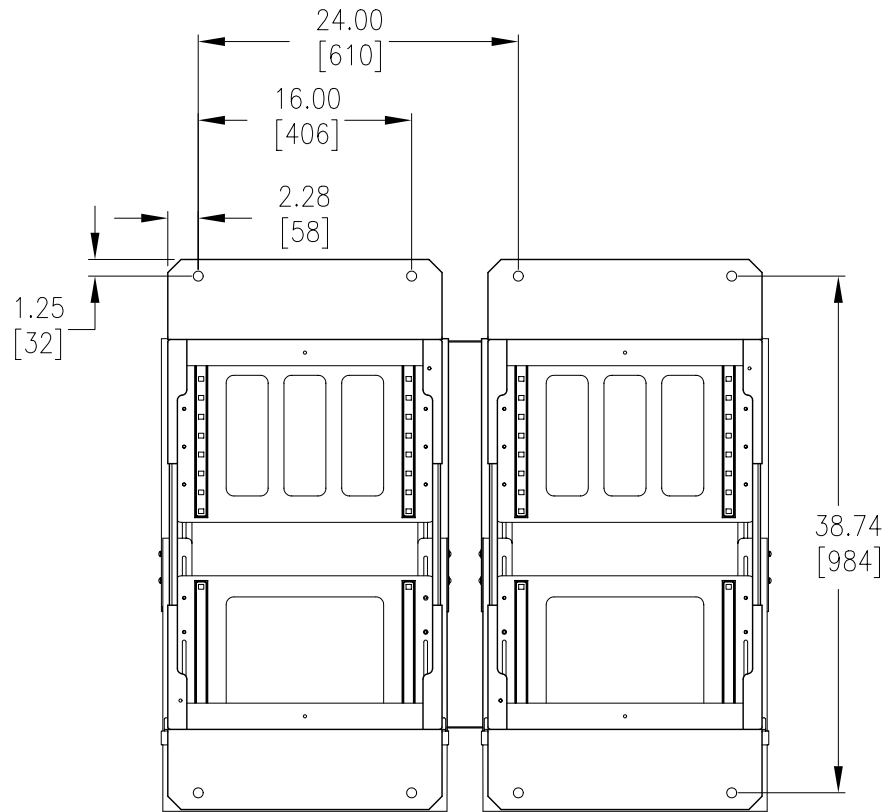
**APC**<sup>®</sup>  
AMERICAN POWER CONVERSION  
132 FAIRGROUNDS RD  
WEST KINGSTON, RI 02892



TOP VIEW  
(WITHOUT TROUGHS AND PARTITIONS)  
(BAYED 24" CTR TO CTR)



FRONT VIEW  
(WITHOUT TROUGHS AND PARTITIONS)



BOTTOM VIEW  
(ENLARGED)  
(WITHOUT TROUGHS AND PARTITIONS)  
(BAYED 24" CTR TO CTR)

THIS DRAWING AND SPECIFICATIONS HEREIN ARE THE PROPERTY OF AMERICAN POWER CONVERSION AND SHALL NOT BE COPIED, REPRODUCED OR USED IN WHOLE OR IN PART, AS THE BASIS FOR THE MANUFACTURE OR SALE OF ITEMS, WITHOUT WRITTEN PERMISSION FROM APC. THIS DRAWING IS BASED UPON LATEST AVAILABLE INFORMATION AND IS SUBJECT TO CHANGE WITHOUT NOTICE.

TITLE: INFRASTRUXURE  
TYPE B  
4 POST OPEN FRAME RACK  
MECHANICAL LAYOUT

DWG NO:	AR203-AR204	REV.	-
DRAWN BY:	M CRAVEN	11/13/03	
CHECKED BY:	B SHERIDAN	11/20/03	
ENGINEER:	J RUNK	11/20/03	

PROJECT: SUBMITTAL DRAWINGS SHEET 4 OF 4

**APC**<sup>®</sup>  
AMERICAN POWER CONVERSION  
132 FAIRGROUNDS RD  
WEST KINGSTON, RI 02892